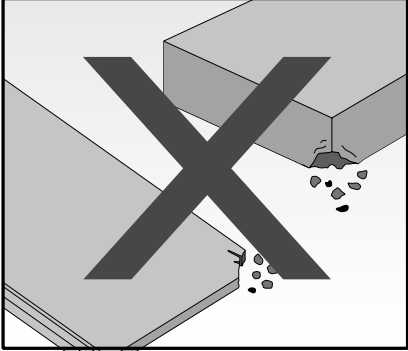
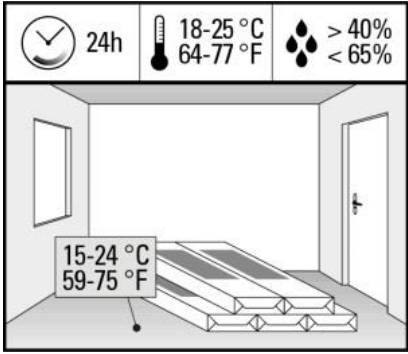
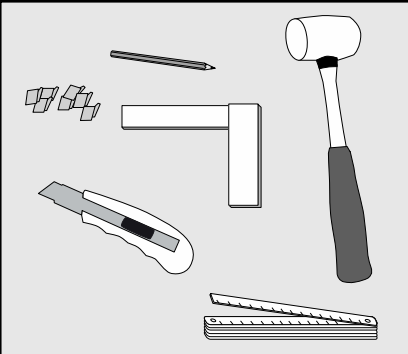
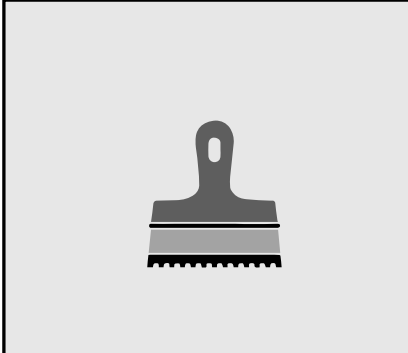


installation instructions of wineo 1000 to click for floating installation and glue down for Canada & N. America.

| | |
|---|--|
| <p>1. Checking the goods. (Next to picture.)</p> <ul style="list-style-type: none"> • Delivered goods in perfect condition? • No claims against goods that have been cut or installed. • Guarantee: Each delivery will consist of goods from the same batch! |  |
| <p>2. Acclimatisation. (Next to picture.)</p> <ul style="list-style-type: none"> • Acclimatise for at least 24 hours before installing! • Room air temperature >18°C. Floor temperature should be at least 59°F (15°C) and no more than 86°F (25°C). • Relative humidity should not be higher than 65%. • Acclimatise boxes in small stacks, unopened and lying horizontally. |  |
| <p>3. Tools for installing Wineo PURLINE 1000 to click. (Next to picture.) <i>Floor fitter's knife with trapezoidal blade /tape measure / white rubber hammer / spacers / pencil / notched trowel / spirit level with measuring tool</i></p> <p><i>Refer to Manufactures guidelines for trowel size / selection" (see list of approved adhesives)</i></p> |   <p>Only for glue down</p> |

installation instructions of wineo 1000 to click for floating installation and glue down for Canada & N. America.

4. Choose your sub-floor. (Next to picture.)

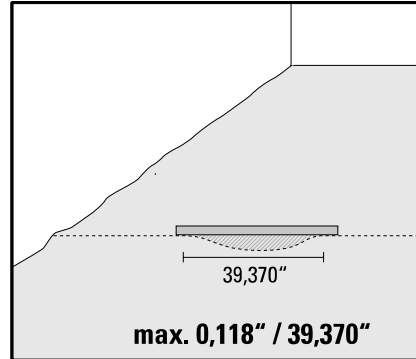
i) Wood framing.

Wood framing to be constructed with the following minimum requirements:

- Check floor evenness, sub-floor tolerance of no more than 0,118" on 39,370" (3mm on 1m).
- 16" OC Joist spacing, with 5/8" Tongue and Groove OSB/APA Plywood floor sheeting.

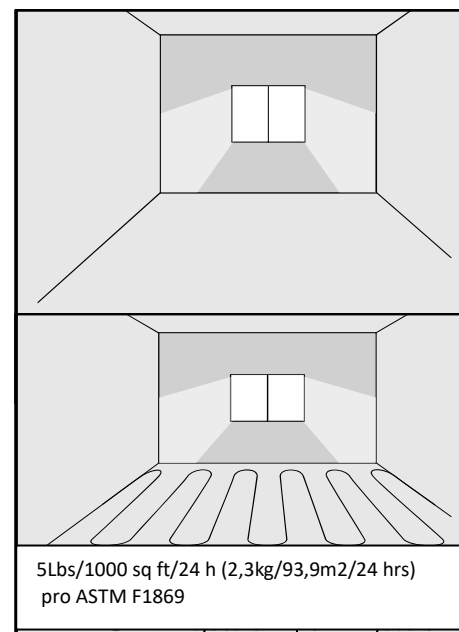
Or

- 19.2" OC joist spacing with 3/4" Tongue and Groove OSB/APA Plywood floor sheeting.
- Sheet seams sanded flat. Clean, free of oils curing sealers, solvents or any other surface contaminants, permanently dry, even, flat, dimensionally stable and free from deflection no more than L/360.
- Any imperfections to be prepared in advance using a suitable approved flexible cement-based patching compound.
- The use of wineo underlayment or wineo approved wet glue is required.

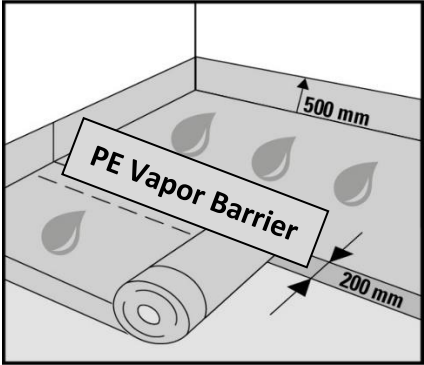
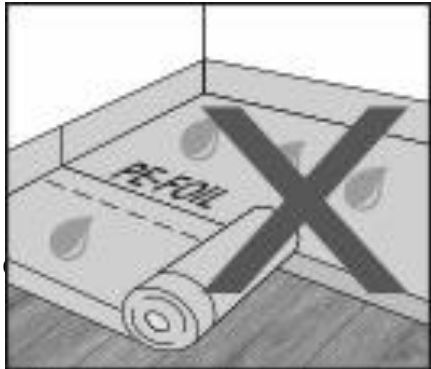
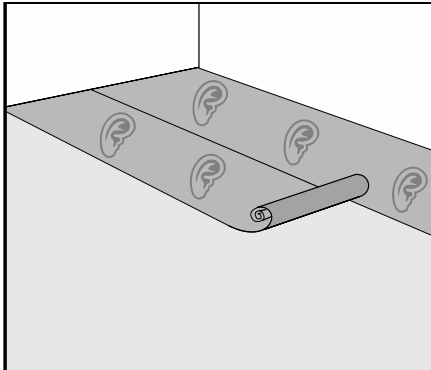
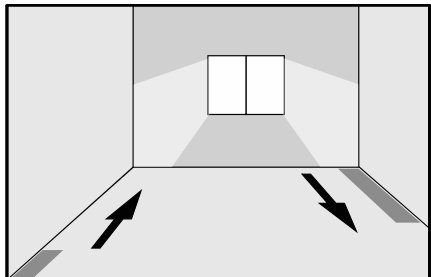


ii) Concrete slab.

- Check floor evenness tolerance of no more than 0,118" on 39,370" (3mm on 1m).
- Concrete must have a compressive strength of 3500 psi.
- Moisture vapor transmission levels cannot exceed 5Lbs/1000 sq ft/24 hrs (2.3kg/93.9m2/24 hrs) per ASTM F1869.
- Any imperfections/cracks to be prepared in advance using a suitable approved cement-based patching compound or self-levelling prior to installation.



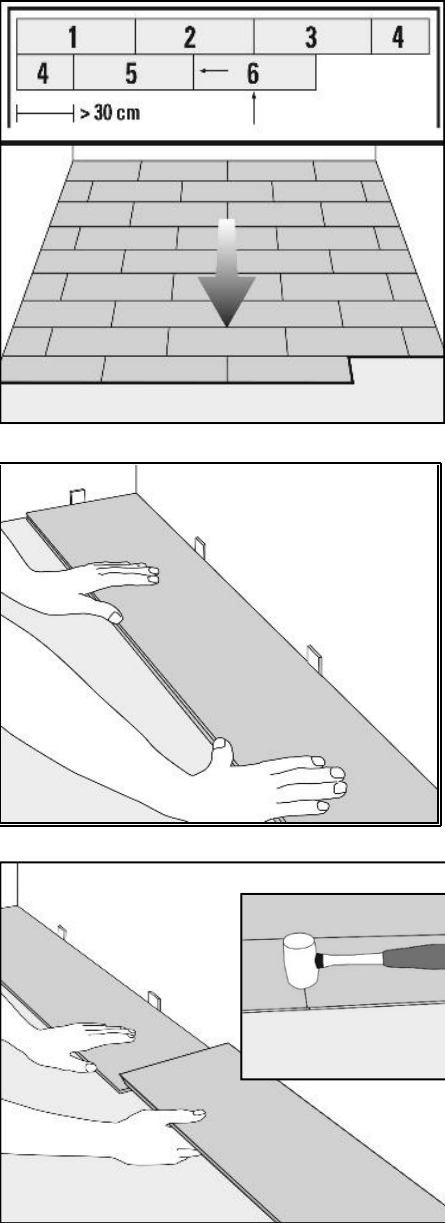
installation instructions of wineo 1000 to click for floating installation and glue down for Canada & N. America.

| | |
|--|---|
| <ul style="list-style-type: none"> • Saw cuts/expansion joints in the concrete must be honoured and brought through the installation. • For slabs on grade (not suspended) the use of 0.008" (0,2mm) vapor barrier is necessary. • Overlap vapour barrier seams by 7.87" (20cm) • Tape the overlapping seams using sheath tape for PE vapor barriers (blue vapour barrier sheathing tape) • Run/lap the vapour barrier up the walls 1" (2.5cm) (to be covered by base board later) • The use of wineo underlayment is required. |  |
| <p>iii) Over existing floorings.</p> <ul style="list-style-type: none"> • The existing flooring must be: <ul style="list-style-type: none"> ○ Well bonded, free of oils, curing sealers, solvents or any other surface contaminants, permanently dry, even, flat and structurally sound. • Check floor evenness, sub-floor tolerance of no more than 0,118" on 39,370" (3mm on 1m). • Any imperfections to be prepared in advance using a suitable approved flexible cement-based patching compound. • have an MOH higher than 7. (i.e. cushion vinyl, vinyl floors of multiple layers, carpets etc are not acceptable.) • The use of wineo underlayment or approved wet glue is required. <p>This point should be applied to both types of floorings iii)existing floorings and i)wood framing</p> <p>When installing with wineo underlayment, you must allow correct expansion joints where necessary:</p> |    |

If you have any questions, please contact:
info@wineo.de or
Technical service support line: +1 678-381-1001

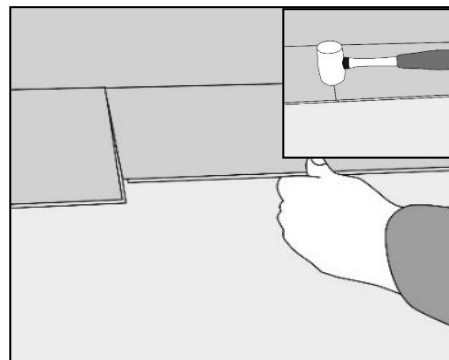
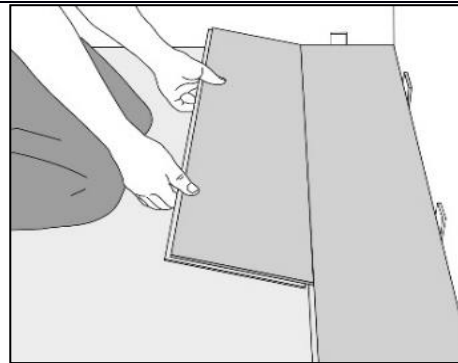
Subject to technical modifications, status 07/2019

installation instructions of wineo 1000 to click for floating installation and glue down for Canada & N. America.

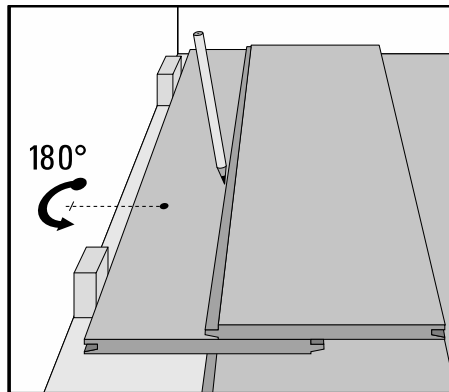
| | |
|---|---|
| <ul style="list-style-type: none"> • 0.197" – 0,394" (5-10mm) at perimeter walls • 0.197" – 0,394" (5-10mm) break at all doorways | <p>Only for floating installation</p> |
| <p>5. Installing Wineo PURLINE 1000 to click. (Next to picture.)</p> <p>Generally, install the elements parallel to the main source of light. Always work from left to right with the tongue side facing the wall.</p> <p>Lay it lengthways across the face side connection of the floor element and hit it with a white rubber hammer. Separate several rooms / spaces in the door areas and passageways (suitable profiles when floating installation is chosen). Maintain clearances of at least 0,197" (5 mm) to all fixed objects and walls. End offset of at least 11,811" (30 cm).</p> |  |

**installation instructions of wineo 1000 to click for floating installation and
glue down for Canada & N. America.**

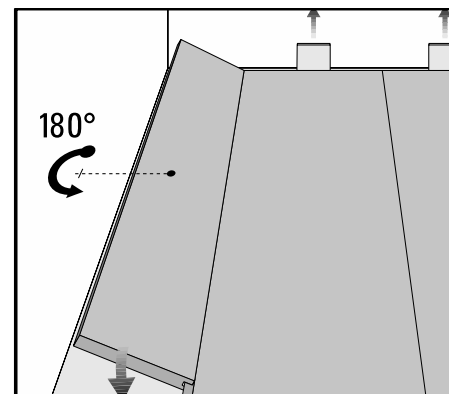
Place the subsequent rows along the longitudinal groove at a 30° angle and apply slight pressure to lower them.



For the final piece of the installation you will need to trim the last plank. Turn the plank upside down with the picture/design facing the floor so that it is at 180 degrees from the other planks. Push it tight to your spacers and then overlay another plank directly over the last fixed plank. You can now mark the filler plank with a pencil along the entire length of the plank.



Cut along the pencil line, turn the plank back around and install.



**installation instructions of wineo 1000 to click for floating installation and
glue down for Canada & N. America.**

6.Important information regarding completing the installation.

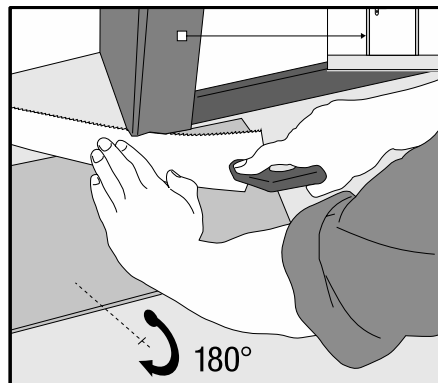
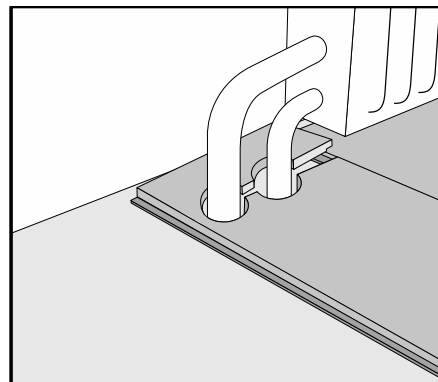
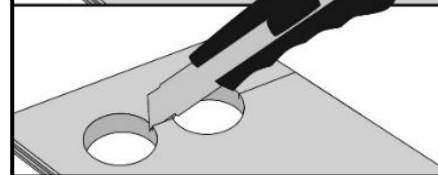
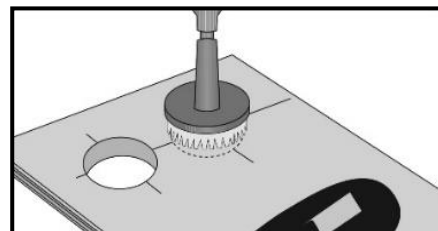
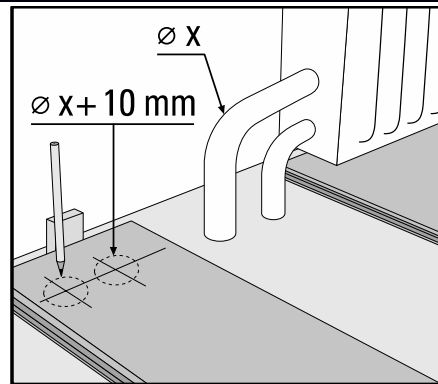
For pipes, please see the picture allowing gap for expansion/movement

Cut out the marked area with added 0.197" – 0,394" (5-10mm) for expansion with a drill and or hole maker.

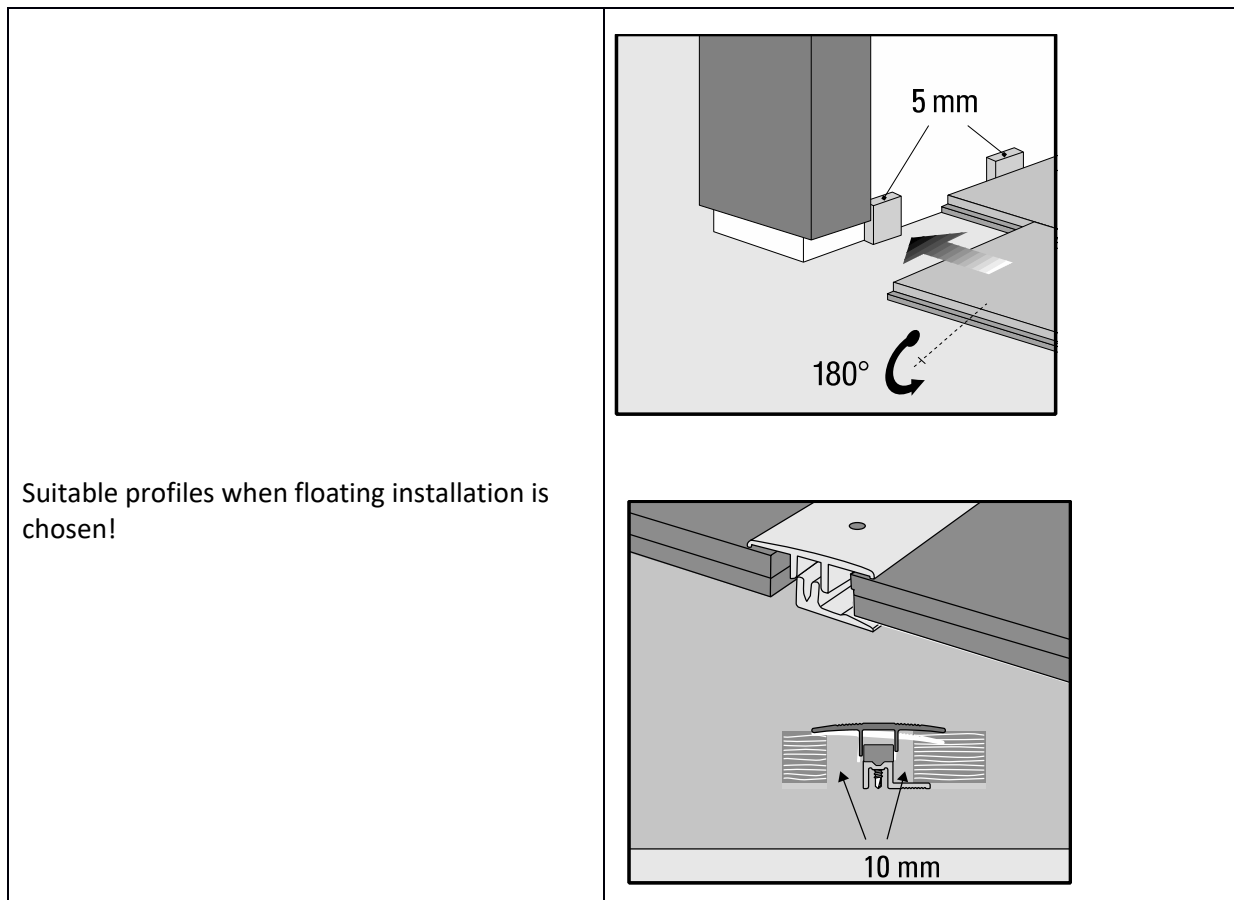
Carefully position the cut piece and fix asper other planks.

Place a spare plank face side down and trim all door frames to allow the plank to slide underneath, remembering to leave a perimeter gap underneath.

Use 0.197" (5 mm) spacers up to areas of 100 sq m and– 0,394" (10mm) for areas over 100 sq m.
Trim existing wooden door frames, if necessary.



**installation instructions of wineo 1000 to click for floating installation and
glue down for Canada & N. America.**



N.B If installing in a bathroom with wineo underlayment a foam rod can be applied to the perimeter wall and floor intersection and smoothed off flush with silicone, prior to the baseboards being fitted.

If it is a wet adhesive being used with no underlayment, silicone/mastic can be applied directly to the wall and floor intersection prior to base boards being fitted or after.

Wineo underlayment is not recommended for 3 season rooms, if you wish to install then you will need to use a 2 components reaction polyurethane adhesive. 2 components polyurethane is a special water- and temperature resistant reaction glue.

*Please refer to our stair nosing guide for installing to a top step or flight of stairs.